

## 1 Before Installing

Congratulations on purchasing your **AudioCodes MP-204 FXS Telephone Adapter**. Before you begin using the device, make sure that the following items are included in the shipped box:

- ✓ AudioCodes' MP-204 FXS Telephone Adapter
- ✓ A 12V -2A AC/DC power cord adaptor (use only the supplied)

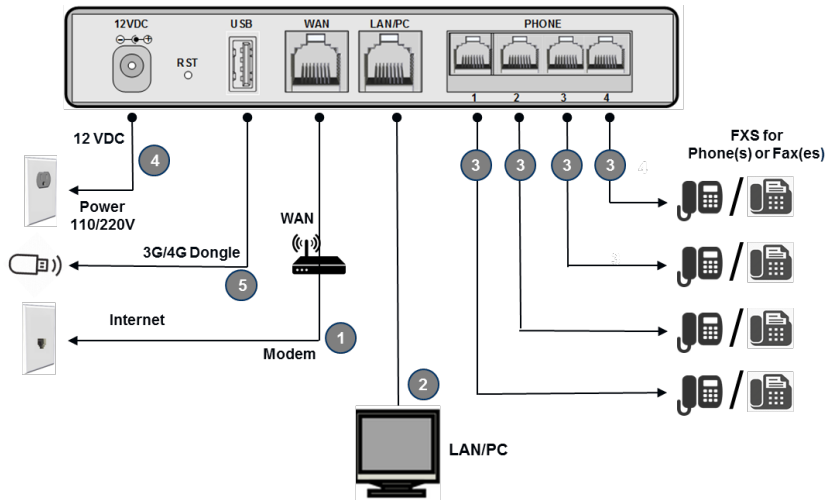
You'll also need (not supplied by AudioCodes):

- ✓ A broadband Internet connection (e.g., Cable or DSL modem)
- ✓ Analog telephones
- ✓ A personal computer
- ✓ RJ-11 telephone cables
- ✓ Two RJ-45 Ethernet cables

## 2 Cabling and Installing MP-204

🔧 **To cable and install MP-204:**

1. Connect the MP-204's Ethernet connector labeled **WAN** to your cable or DSL modem, using the Ethernet cable.



2. Connect the MP-204's Ethernet connector labeled **LAN/PC** to your PC, using the second Ethernet cable.

3. Connect the MP-204's telephone ports labeled **PHONE** to analog telephones/faxes, using the RJ-11 telephone cables.
4. Connect MP-204 to a standard 110/220 VAC electrical wall outlet, using the AC/DC power adapter; the **POWER** LED is lit (green) and when initialization completes (~ 1 minute), the **STATUS** LED changes from red to green.
5. The USB port can be used as a secondary WAN (with 3G/4G dongles) or to connect a disk-on-key, external hard disk drive or printer.

## 3 Configuring Network Parameters

🔧 **To configure network parameters:**

1. On your PC, verify that the Local Area Connection status is "Connected", by clicking **Start > Settings > Network Connections**, and then double-clicking the **Local Area Connection** icon.
2. If the LAN status displays "Disconnected", click **Properties**, select 'Internet Protocol (TCP/IP)', and then click **Properties**; ensure that the 'Obtain an IP address automatically' option is selected.
3. Open a Web browser and enter the URL address **http://MP20x.home**:

 <http://MP20x.home>

The MP-204 embedded Web server's Welcome screen is displayed.

4. Define a new password (record and retain it for future reference).
5. In the Quick Setup page, select the Internet connection method. Consult with your ISP for the required connection type (DHCP, PPPoE or PPTP) and then click **OK**. The Network map displays the elements connected to MP-204. Your PC is now connected to the Internet and you are ready to configure VoIP parameters.




If there is no Internet connection, a red "X" appears below the globe icon on the MP-204 Web server's Home page. Consult with your ISP for valid connection parameters.

## 4 Configuring VoIP Parameters



To make VoIP calls, register with an ISP and obtain the account and SIP proxy information.

### To configure VoIP parameters:

1. From the menu bar in the left pane, click **Voice Over IP**; the Voice Over IP page opens in the right pane.
2. Click the **Line Settings** tab, select check boxes only of lines that are connected to telephones (clear those not connected), and click **Apply**.
3. Click the **Action**  icon corresponding to your FXS telephone lines, and then in the Line Settings page, configure the parameters with values provided by your ISP.
4. Click the **Signaling Protocol** tab, and then select the 'Use SIP Proxy' check box. In the 'Proxy IP Address or Host Name' field, enter the ISP's proxy IP address or host name as provided by your ISP. Click **OK** to complete the VoIP configuration.



To verify successful registration to the Proxy server, ensure that the **PHONE** LEDs flash green, or in the Voice over IP page (**System Monitoring** menu), the entry 'SIP Registration' displays "Registered" for the configured FXS lines.

5. Pick up the phone receiver and listen for the dial tone; you're now ready to make an outgoing VoIP call.

### Notice Information

This Quick Guide describes the quick setup for MP-204 Telephone Adapter model.

Information contained in this document is believed to be accurate and reliable at the time of printing. However, due to ongoing product improvements and revisions, AudioCodes cannot guarantee accuracy of printed material after the Date Published nor can it accept responsibility for errors or omissions. Updates to this document can be downloaded from AudioCodes' Web site at <https://www.audiocodes.com/library/technical-documents>.

© Copyright 2018 AudioCodes Ltd. All rights reserved.

This document is subject to change without notice.

Date Published: September-17-2018 Document #: LTRT-18732

#### International Headquarters

1 Hayarden Street, Airport City, Lod 7019900  
P.O. Box 255, Ben Gurion Airport, Israel, 7019900  
Tel: +972-3-976-4000 Fax: +972-3-976-4040

## AudioCodes MP-20x FXS Telephone Adapter

# MP-204

## Quick Installation Guide

