

Mediant™ 500Li

Analog VoIP Gateway

Quick Setup Guide

Welcome

Thank you for choosing AudioCodes' **Mediant 500Li Analog VoIP Gateway**.

This document is intended to provide basic instructions for initial setup of the Mediant 500Li (hereafter, referred to as *device*) and connecting it to your network. For advanced configuration, please refer to the device's *Configuration Notes* and *Hardware Manual* respectively, which can be downloaded from AudioCodes Website at <https://www.audiocodes.com/library/technical-documents>.

Before you begin, please read the [Safety Precautions](#) and click [here](#) to view the Regulatory Information document.



Safety Precautions

- This device is an indoor unit and therefore, must not be installed outdoors.
- Ethernet cabling must be routed only indoors and must not exit the building.
- Do not open or dismantle the device.
- Do not expose the device to water or moisture.
- Make sure the device is installed in a well-ventilated location to avoid over heating of internal components and subsequent damage.
- Do not place any object on top of the device and make sure that sufficient clearance from the top and sides are maintained to ensure proper airflow to avoid over heating of internal components.
- Operate the device in an ambient temperature (Tma) that does not exceed 40°C (104°F).
- Use only the supplied AC/DC power adapter for connection to the power source.
- In case of a malfunction, do not attempt to fix the power adapter and do not use any other type of power adapter.

Package Contents

Make sure that the following items (in addition to any separate-orderable items that you may have purchased) are included with your shipped device:

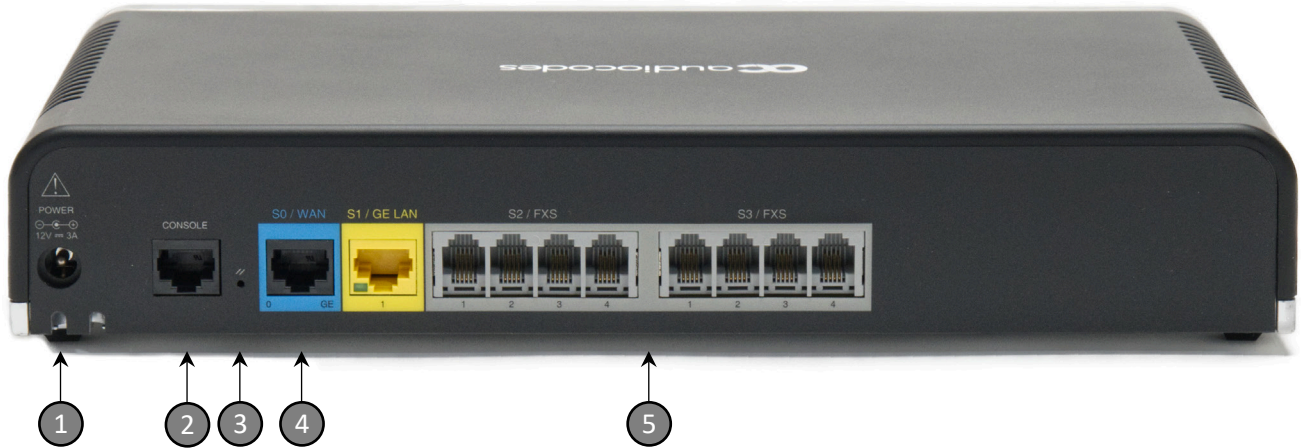
- 4 x anti-slide bumpers for desktop mounting
- 1 x AC/DC power adapter
- Regulatory Information document
- This Quick Guide

Physical Description of Front Panel



- | | | | |
|----------|---|--|---|
| 1 | Power | LED indicating power status: | |
| | ■ Green On | | Power received by device. |
| | ■ Off | | No power. |
| 2 | Status | LED indicating operating status: | |
| | ■ Green On | | Device is operational. |
| | ■ Green Flashing | | Initial rebooting stage or software upgrade in process. |
| | ■ Red On | | Boot failure. |
| | ■ Off | | Advanced rebooting stage. |
| 3 | WAN GE | LED indicating Gigabit Ethernet WAN link status: | |
| | ■ Green On | | WAN GE link established. |
| | ■ Green Flashing | | Data received or transmitted. |
| | ■ Off | | No WAN GE link or power not received by the device. |

Physical Description of Rear Panel

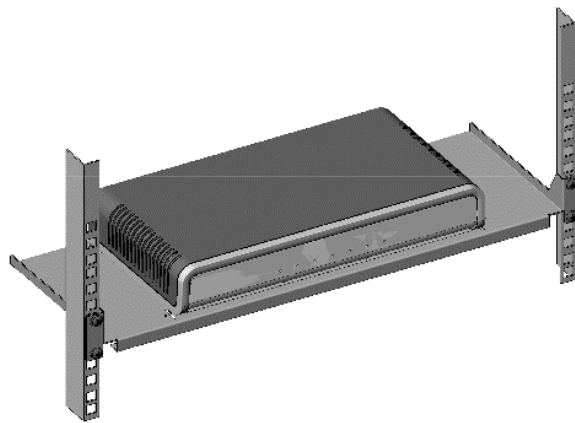


- 1 POWER** DC power plug entry for external AC/DC power adapter.
- 2 CONSOLE** RJ-45 port for RS-232 serial communication with the device.
- 3 //** Reset pinhole button for resetting the device or restoring it to factory defaults. To restore to factory defaults: with a paper clip or any other similar pointed object, press and hold down the button for at least 12 seconds (but no more than 25 seconds). Please note that the device will lose all its configuration!
- 4 S0 / WAN** WAN interface port Gigabit Ethernet (10/100/1000Base-T)
 - Green On Ethernet link established.
 - Green Flashing Data is received or transmitted.
 - Off No Ethernet link.
- 5 S2 / FXS** Ports 1-4 of analog interface (FXS).
S3 / FXS Ports 5-8 of analog interface (FXS).

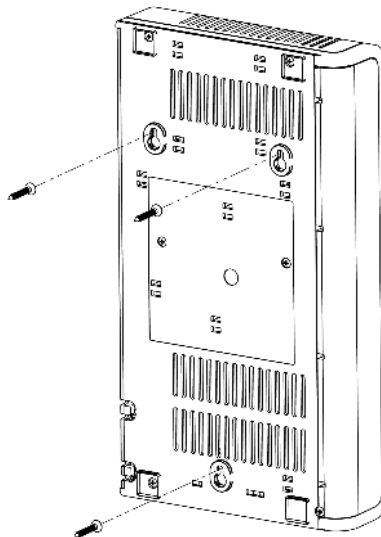
Mounting the Device

You can mount the device in several ways:

- Placing it on a desktop using the four anti-slide bumpers (supplied), which you need to stick on the grooves located on the underside of the device. The bumpers avoid involuntary movement of the unit on the desktop as well as enable better air flow for cooling the device.
- Mounting it in a standard 19-inch rack by placing it on AudioCodes 1U 19-inch rack mount shelf (separate orderable item). The procedure includes attaching the shelf to the rack's front posts, and then placing the device on the shelf where it is securely held in position by the device's anti-slide bumpers which fit into the shelf's four square-openings.



- Mounting it on a wall, using the integral mounting keyholes located on its underside.



Initial Connectivity

This section describes how to initially access the device's management interface and change its default IP address to correspond with your networking scheme. Device management can always be done through the LAN interface, but you can also enable device management through the WAN (as explained in the [configuration guide](#)).

Accessing Device through Web Interface

You can access the Web-based management interface using the device's default LAN IP address:

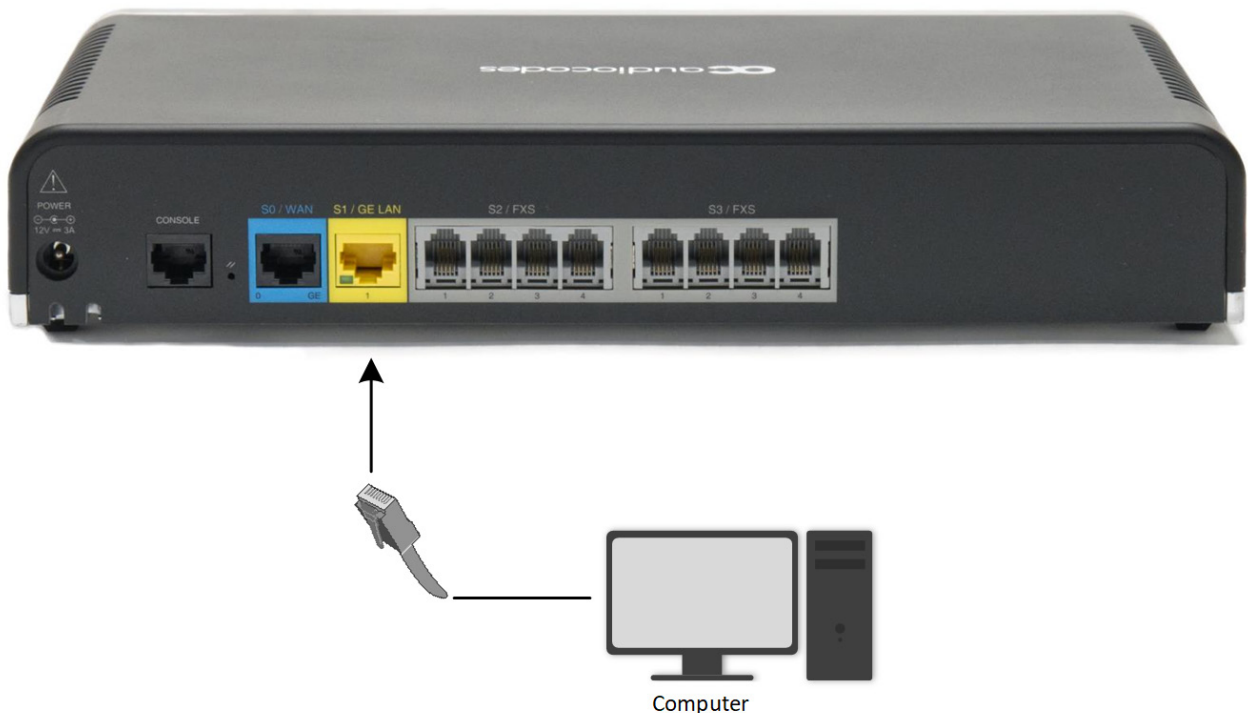
- IP Address: 192.168.0.1
- Prefix Length: 24 (255.255.255.0)
- Default Gateway: 0.0.0.0
- VLAN ID: 1



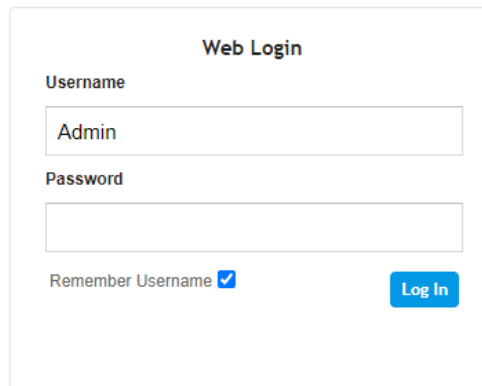
By default, the device's embedded DHCP server is enabled for the LAN, and with default IP pool addresses relating to the default subnet LAN. The DHCP server allocates this pool of IP addresses to computers connected to its LAN interface. You can disable the DHCP server or modify the IP address pool.

Accessing Device through Default LAN IP Address

1. Connect the LAN Port (**S1 / GE LAN**) to your computer's network interface, using a straight-through Ethernet cable:



2. Make sure that your computer is configured to automatically obtain an IP address. The device has an embedded DHCP server, which by default, allocates IP addresses to connected computers.
3. On your computer, start a Web browser and in the URL address field, enter the device's default IP address; the Web interface's Web Login screen appears:



The screenshot shows a web login form titled "Web Login". It contains the following elements: a "Username" label above a text input field containing "Admin"; a "Password" label above an empty text input field; a "Remember Username" checkbox which is checked; and a blue "Log In" button.

4. In the 'Username' and 'Password' fields, enter the case-sensitive, default login username (**Admin**) and password (**Admin**).
5. Click **Log In**.

Configuring LAN and WAN

This section describes how to configure the device's LAN and WAN interfaces.



After accessing the device through the LAN interface, you can configure Web management access from one of the following interfaces:

- Any of the configured Voice Gateway LAN interfaces.
- WAN port interface: In this setup, you need to enable remote access to the WAN port interface.

For basic configuration, click [here](#) to view the configuration note.

Modifying LAN Interface

The device's default LAN IP address is 192.168.0.1/24. You can change this to suit your networking scheme.

By default, the device's embedded DHCP server is enabled for the LAN, and with default IP pool addresses relating to the default subnet LAN. You can disable the DHCP server or modify the IP address pool. The DHCP server allocates this pool of IP addresses to the computers connected to its LAN interface.

1. Open the LAN Interface page (**Setup** menu > **IP NETWORK** tab > **CORE ENTITIES** folder > **LAN Interface**).
2. Configure the following:
 - LAN Interfaces
 - DHCP (enable / disable)
 - DNS

LAN Interface

INTERFACE INFORMATION		LAN INTERFACES SETTINGS	
Name	VLAN 1	IP Address	<input type="text" value="192.168.0.1"/>
Description	incoming_connection vlan 1	Subnet Mask	<input type="text" value="255.255.255.0"/>
Status	Connected		
State Time	4d 23:43:09		

DHCP SETTINGS		DNS SETTINGS	
Enable DHCP Server	<input type="text" value="Enable"/>	Primary DNS Server IP Address	<input type="text"/>
First IP Pool Address	<input type="text" value="192.168.0.3"/>	Secondary DNS Server IP Address	<input type="text"/>
Last IP Pool Address	<input type="text" value="192.168.0.8"/>		
IP Pool Subnet Mask	<input type="text" value="255.255.255.0"/>		
Primary DNS Server IP Address	<input type="text" value="0.0.0.0"/>		
Secondary DNS Server IP Address	<input type="text" value="0.0.0.0"/>		
Client Lease Time (Minutes)	<input type="text" value="60"/>		

Configuring WAN Interface

This section describes how to configure the WAN interface, which uses Gigabit Ethernet.



Before configuring the WAN interface, make sure that you have all the required information from your Internet service provider.

1. Connect the WAN port to the WAN network. For information on cabling the WAN port, refer to the *Hardware Installation Manual*.
2. Open the WAN Interface page (**Setup** menu > **IP NETWORK** tab > **CORE ENTITIES** folder > **WAN Interface**).
3. Configure the following:
 - WAN settings (Static or DHCP Client - default is **DHCP Client**)
 - DNS settings (Static or Auto - default is **Auto**)

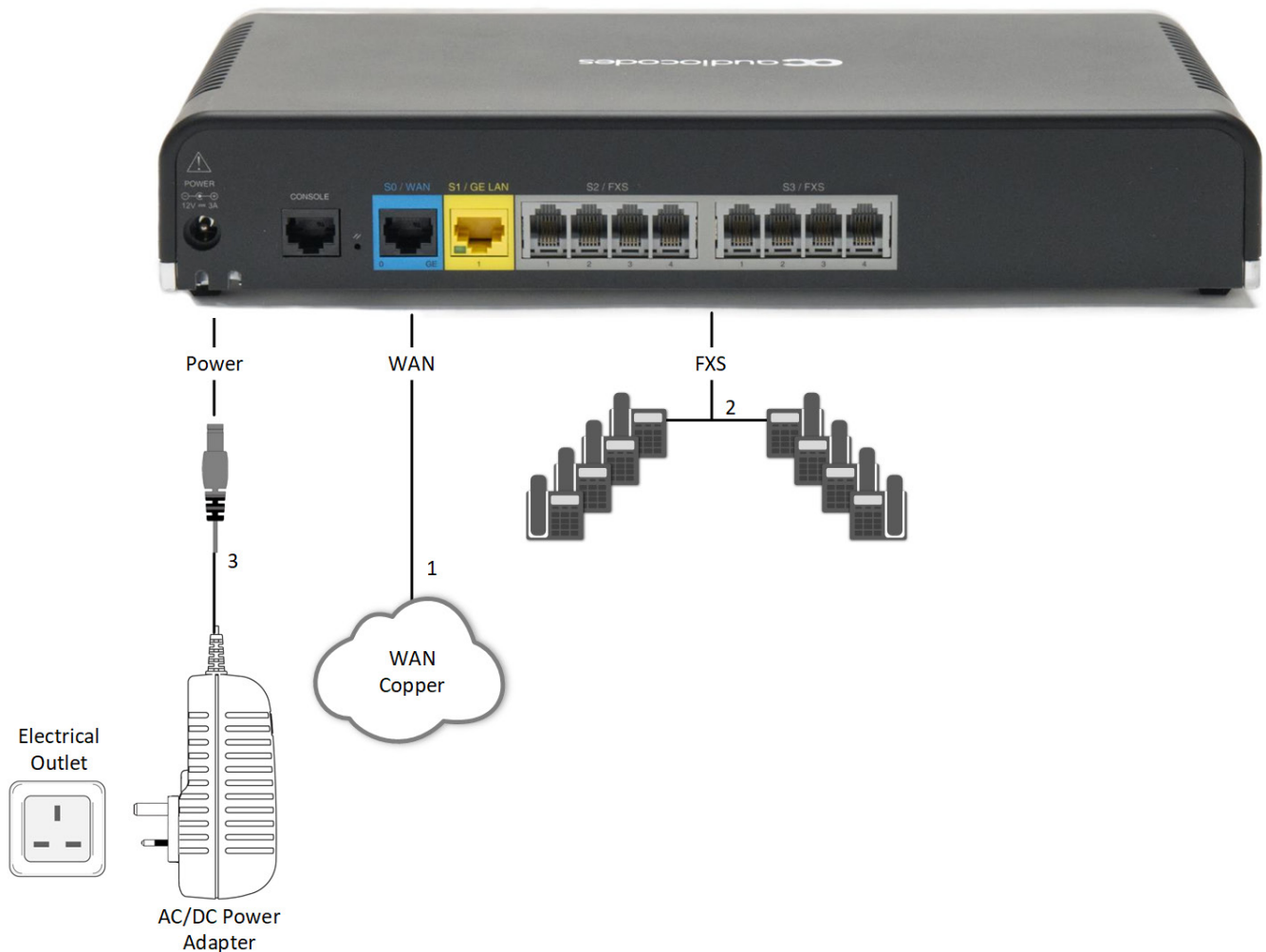
WAN Interface

INTERFACE INFORMATION		WAN SETTINGS	
Name	GigabitEthernet 0/0	IP Address Mode	<input type="text" value="DHCP"/>
Description	WAN Copper	IP Address	10.4.2.53
Status	Connected	Subnet Mask	255.255.0.0
State Time	4d 23:43:43	Add Default Route to DHCP Gateway	<input checked="" type="checkbox"/>

DNS SETTINGS	
DNS Server Mode	<input type="text" value="Auto"/>
Primary DNS Server IP Address	10.1.1.10
Secondary DNS Server IP Address	10.1.1.6

Cabling the Device

Cabling depends on your ordered hardware interfaces, for example, the type of WAN interface.



1. Connect the device's WAN port interface to your router.
2. Connect any phone, fax or other PSTN equipment to any of the analog port interfaces (FXS).
3. Insert the DC plug that is located at the end of the power cord of the supplied power adapter into the device's power socket located on the rear panel and labeled **POWER**. Plug the power adapter directly into a standard electrical wall outlet; the **Power** LED turns on (green).
4. You should now be able to make and receive calls, based on your local plan with your service provider.

©2022 AudioCodes Ltd. All rights reserved. AudioCodes, AC, HD VoIP, HD VoIP Sounds Better, IPmedia, Mediant, MediaPack, What's Inside Matters, OSN, SmartTAP, User Management Pack, VMAS, VoIPerfect, VoIPerfectHD, Your Gateway To VoIP, 3GX, VocaNom, AudioCodes One Voice, AudioCodes Meeting Insights, AudioCodes Room Experience and CloudBond are trademarks or registered trademarks of AudioCodes Limited. All other products or trademarks are property of their respective owners. Product specifications are subject to change without notice.

International Headquarters

1 Hayarden Street,
Airport City
Lod 7019900, Israel
Tel: +972-3-976-4000
Fax: +972-3-976-4040

AudioCodes Inc.

200 Cottontail Lane,
Suite A101E,
Somerset, NJ 08873
Tel: +1-732-469-0880
Fax: +1-732-469-2298

Contact us: <https://www.audiocodes.com/corporate/offices-worldwide>

Website: <https://www.audiocodes.com>

Document #: LTRT-13948
Date Published: 16/02/2022

