

Mediant 500L MSBR

Quick Setup Guide

Welcome

Congratulations on purchasing your AudioCodes **Mediant 500L Multi-Service Business Router (MSBR)** (hereafter, referred to as *device*)!

This document is only intended to provide basic setup instructions for initial access to the device and connecting it to your network. For advanced configuration and cabling, refer to the device's *Configuration Notes* and *Hardware Manual* respectively, which can be downloaded from AudioCodes Website at <https://www.audiocodes.com/library/technical-documents>.

Before you begin, please read the [Safety Precautions](#) on page 6.

🇫🇷 Pour consulter le guide rapide de l'équipement en **français**, consultez le site web AudioCodes suivant : <https://www.audiocodes.com/library/technical-documents?productFamilyGroup=1647&productGroup=1648&docTypeGroup=Quick+Guides>.

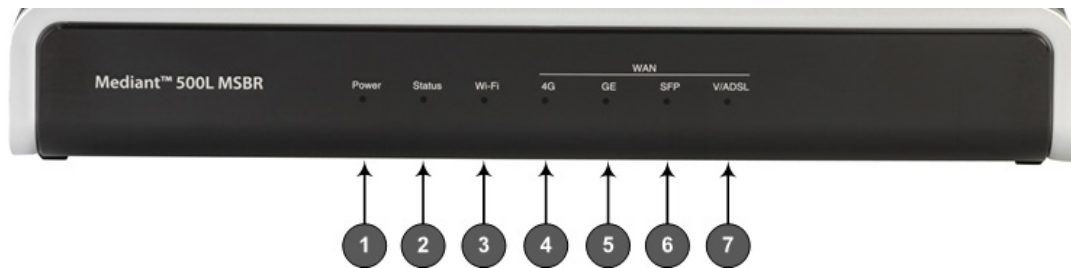
Package Contents

Make sure that the following items (in addition to any separate-orderable items that you may have purchased) are included with your shipped device:

- 4 x anti-slide bumpers for desktop mounting
- 2 x Wi-Fi antennas (if ordered with Wi-Fi functionality)
- 2 x cellular antennas (if ordered with cellular functionality)
- 1 x AC/DC power adapter
- Regulatory Information document
- This Quick Guide



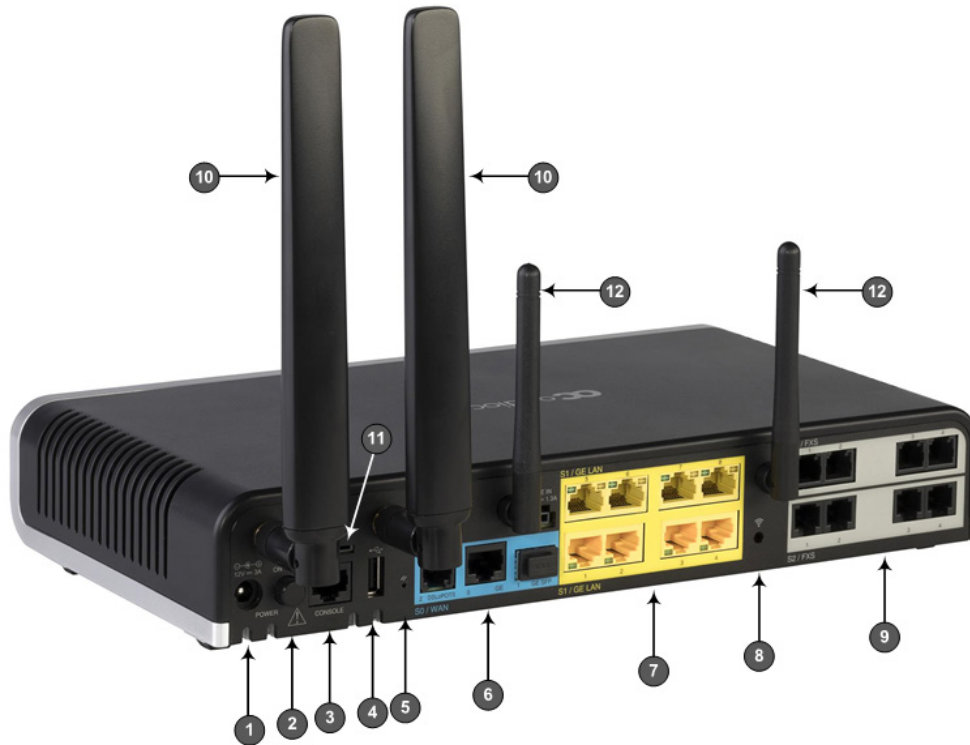
Physical Description of Front Panel






[**Note:** Availability of certain LEDs depends on the ordered interface.]

1	Power	LED indicating power status: <ul style="list-style-type: none"> ■ Green On Power received by device ■ Off No power
2	Status	LED indicating operating status: <ul style="list-style-type: none"> ■ Green On Device is operational ■ Green Flashing Initial rebooting stage or software upgrade in process ■ Red On Boot failure ■ Off Advanced rebooting stage
3	Wi-Fi	LED indicating Wi-Fi status: <ul style="list-style-type: none"> ■ Green On Wi-Fi is activated. ■ Green Flashing Traffic on the wireless LAN. ■ Off Wi-Fi is not configured.
4	WAN 4G	LED indicating 4G cellular WAN status <ul style="list-style-type: none"> ■ Green On Connected to cellular network. ■ Green Flashing Connecting to cellular network. ■ Red On No SIM card in SIM slot, or if there is a SIM card, the device cannot connect to the cellular network ■ Off Cellular interface is not configured (or not licensed)
5	WAN 4G	LED indicating Gigabit Ethernet copper WAN status <ul style="list-style-type: none"> ■ Green On WAN GE link established. ■ Green Flashing Data received or transmitted. ■ Off No WAN GE link.
6	WAN SFP	LED indicating optical fiber WAN link status: <ul style="list-style-type: none"> ■ Green On WAN fiber link established. ■ Green Flashing Data received or transmitted. ■ Off No WAN fiber link.
7	WAN A/VDSL	LED indicating DSL WAN link status: <ul style="list-style-type: none"> ■ Green On DSL link connected (trained) with peer ("showtime"). ■ Green Fast-Flashing Training up (connection in progress) and negotiating with peer. ■ Green Slow Flashing DSL port administratively up, but idle (not connected and no peer detected). ■ Green Two Fast-Flashes and then Idle Sequences DSL port initializing itself after being enabled or upon mode change. ■ Off DSL port administratively shutdown or not configured

Physical Description of Rear Panel



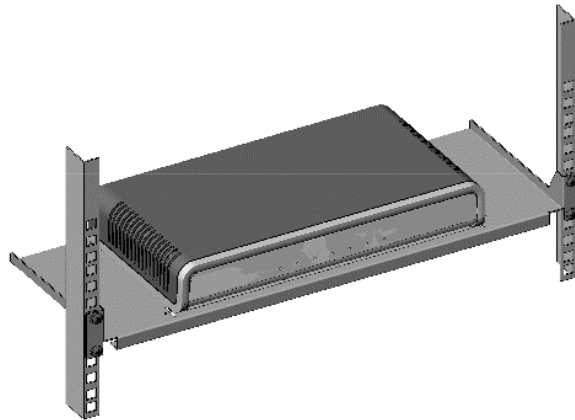
[**Note:** The number and type of port interfaces depend on the ordered hardware configuration.]

- | | | |
|----|---|--|
| 1 | POWER | DC power plug entry for external AC/DC power adapter |
| 2 | ON / OFF | Power button to switch on (pressed in) and off (pressed out) the device. |
| 3 | CONSOLE | RS-232 serial interface port (RJ-45). |
| 4 |  | USB port, which can be used for storage on an external USB hard drive, or for 3G cellular WAN modem for primary or backup WAN |
| 5 | // | Reset pinhole button for resetting the device or restoring it to factory defaults. To restore to factory defaults: with a paper clip or any other similar pointed object, press and hold down the button for at least 12 seconds (but no more than 25 seconds). |
| 6 | S0 / WAN | WAN interface ports (e.g., copper, DSL or fiber optic), which depend on ordered interfaces. |
| 7 | S1 / GE LAN | Up to four Gigabit Ethernet (10/100/1000Base-T) ports (RJ-45) for connecting IP phones, computers, or switches. The ports support 1+1 Ethernet port redundancy (active-standby), half- and full-duplex modes, auto-negotiation, and straight-through or crossover cable detection.
<div style="margin-left: 20px;"> ■ Green On Ethernet link established
 ■ Green Flashing Data is received or transmitted
 ■ Off No Ethernet link </div> |
| 8 |  | Wi-Fi pinhole button for enabling or disabling Wi-Fi. Use a paper clip or any other similar pointed object to press the button. |
| 9 | S2 / FXS, FXO, BRI | Telephony interfaces (RJ-11 ports for FXS and FXO; RJ-45ports for ISDN BRI). |
| 10 | - | Cellular antennas for 4G LTE network. |
| 11 |  | SIM card slot for 4G LTE cellular. |
| 12 | - | Multiple-input and multiple-output (MIMO) 2Tx/2Rx antennas, operating in 2.4 GHz frequency range for wireless LAN 802.11n/b/g (Wi-Fi) access point. |

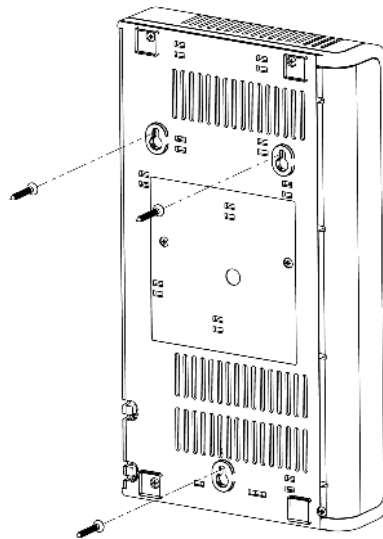
Mounting the Device

You can mount the device in several ways:

- Placing it on a desktop using the four anti-slide bumpers (supplied), which you need to stick on the grooves located on the underside of the device.
- Mounting it in a standard 19-inch rack by placing it on AudioCodes 1U 19-inch rack mount shelf (separate orderable item). The procedure includes attaching the shelf to the rack's front posts, and then placing the device on the shelf where it is securely held in position by the device's anti-slide bumpers which fit into the shelf's four square-openings.



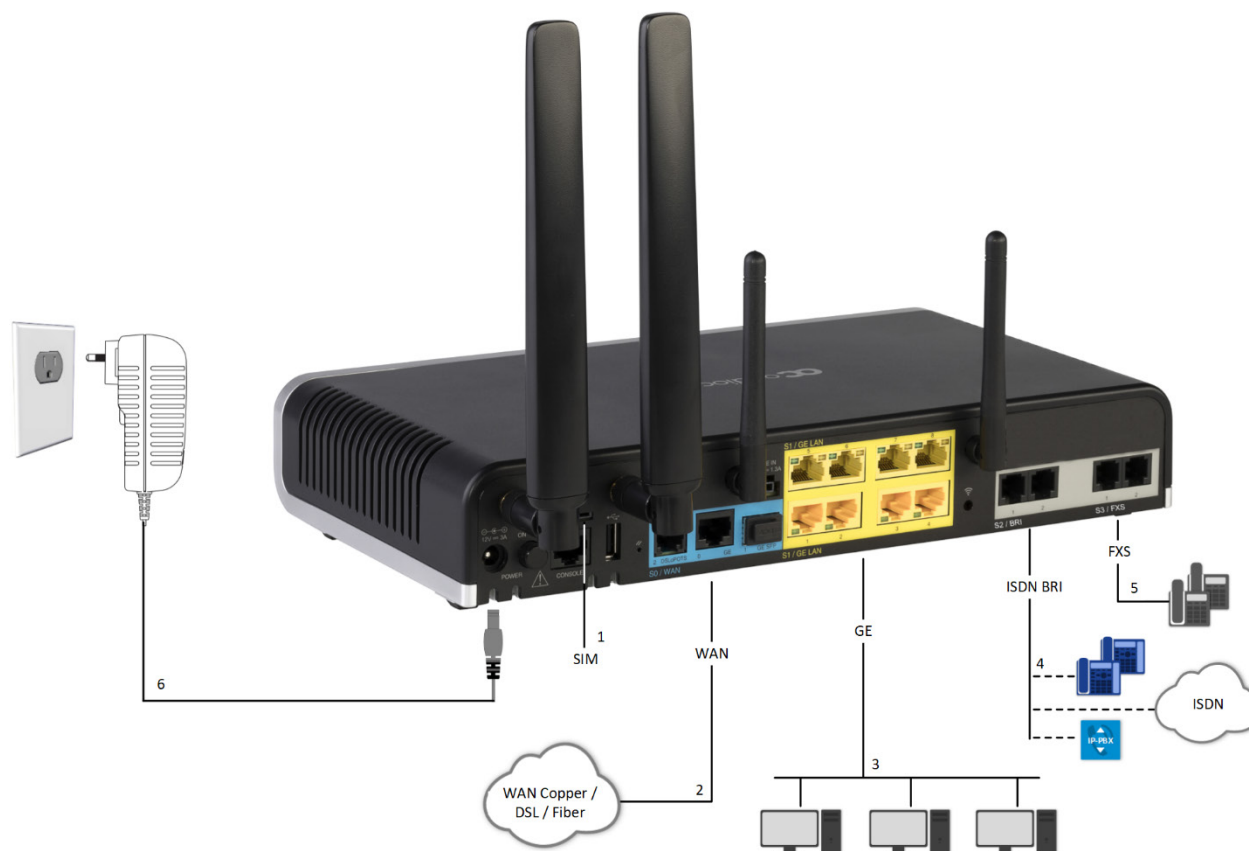
- Mounting it on a wall, using the integral mounting keyholes located on its underside.



For detailed instructions on chassis mounting, refer to the [Hardware Manual](#).

Cabling the Device

Cabling depends on your ordered hardware interfaces, for example, the type of WAN interface.



1. **(Only if ordered with LTE cellular)** Insert the SIM card (supplied by your service provider) into the SIM slot.
2. Connect the device's WAN port interface to the WAN.
3. Connect the yellow Gigabit Ethernet ports (labeled **GE LAN**) to your LAN, using an RJ-45 CAT-5 Ethernet cable.
4. **(Only if ordered with BRI interfaces)** Connect the BRI ports (labeled **BRI**) to your ISDN BRI phones, ISDN PBX, or ISDN network PBX, using an RJ-48 connector.
5. **(Only if ordered with FXS interfaces)** Connect the FXS ports (labeled **FXS**) to your analog telephones or fax machines.
6. Insert the DC plug that is located at the end of the power cord of the supplied power adapter into the device's power socket located on the rear panel and labeled **POWER**. Plug the power adapter directly into a standard electrical wall outlet. Switch on the device by pressing-in the power button located on the rear panel. When the device receives power, the **Power** LED turns on (green).

Safety Precautions

- This device is an indoor unit and therefore, must not be installed outdoors.
- Ethernet cabling must be routed only indoors and must not exit the building.
- The device must be installed and serviced only by qualified service personnel.
- Do not open or dismantle the device.
- Do not expose the device to water or moisture.
- Make sure the device is installed in a well-ventilated location to avoid over heating of internal components and subsequent damage.
- Do not place any object on top of the device and make sure that sufficient clearance from the top and sides are maintained to ensure proper airflow to avoid over heating of internal components.
- Operate the device in an ambient temperature (Tma) that does not exceed 40°C (104°F).
- The device must be installed only in restricted access locations.
- Use only the supplied AC/DC power adapter for connection to the power source.
- In case of a malfunction, do not attempt to fix the power adapter and do not use any other type of power adapter. Contact AudioCodes for further assistance.
- Operate the device only from the type of power source indicated on the chassis.
- Installation of the device must be in accordance with national electrical codes and conform to local regulations.
- Use minimum 26-AWG wiring for FXO ports.

©2020 AudioCodes Ltd. All rights reserved. AudioCodes, AC, HD VoIP, HD VoIP Sounds Better, IPmedia, Mediant, MediaPack, What's Inside Matters, OSN, SmartTAP, User Management Pack, VMAS, VoIPerfect, VoIPerfectHD, Your Gateway To VoIP, 3GX, VocaNom, AudioCodes One Voice, AudioCodes Meeting Insights, AudioCodes Room Experience and CloudBond are trademarks or registered trademarks of AudioCodes Limited. All other products or trademarks are property of their respective owners. Product specifications are subject to change without notice.

International Headquarters

1 Hayarden Street,
Airport City
Lod 7019900, Israel
Tel: +972-3-976-4000
Fax: +972-3-976-4040

AudioCodes Inc.

200 Cottontail Lane,
Suite A101E,
Somerset, NJ 08873
Tel: +1-732-469-0880
Fax: +1-732-469-2298

Contact us: <https://www.audiocodes.com/corporate/offices-worldwide>

Website: <https://www.audiocodes.com/>

Document #: LTRT-10509
Date Published: 11/08/2020

